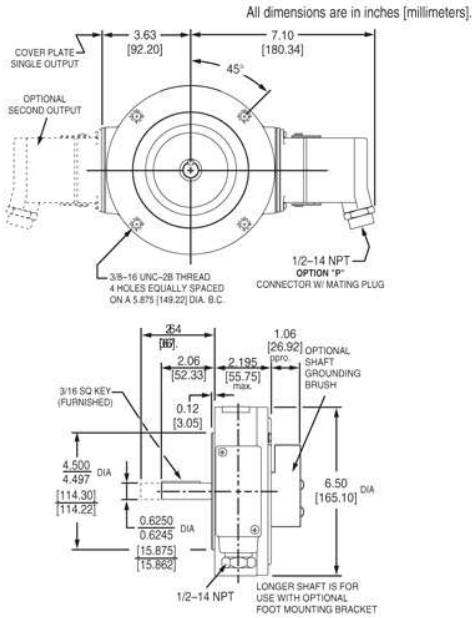


OUTLINE DRAWING



MORE M3 ADVANTAGES

- Highly resistant to electrical and magnetic motor and brake noise
- Auxiliary channel offers separate low frequency outputs (1/4) at no extra charge on each output
- Marker Pulse Standard
- Available C-Face tether kits (4.5" to 16")
- Available threaded rod torque arm
- Optional OSHA finger guard
- Optional shaft grounding brush
- Optional dual output for backup, complete isolation between outputs
- 1 Year No-Hassle Warranty

M3 SPECIFICATIONS

Operating Power: 5-24 VDC, 5-18V, 12-24V; Current 120mA, no load

Output Format: A,A-, B,B-, C,C-; Marker Z,Z-

Frequency Range: 0 to 150 KHz

PPR: 240-2500

Speed:

5000 RPM Max. Std., shafts 1 1/2" to 1 5/8"

3600 RPM Max. Std., shafts 2" to 2 3/8"

(for higher speeds, consult factory)

Temperature: -40* to 85°C (*-20° standard)

Chemical: Polyurethane enamel paint protects against salt spray, mild acids, and bases

Weight: 7 lbs.

All dimensions are in inches [millimeters].

Check out our website for more detailed specifications, drawings, and Specifications and features are subject to change without notice. installation instructions. www.avtronencoders.com

* See instruction sheet for full list.

SELECTION GUIDE

M3 PART NUMBERS AND AVAILABLE OPTIONS

Model	Bore Size	Mounting Style	Line Driver	Output Location	PPR	Connector	Modifications
M3-	7-2 3/8" G-48mm 8-1 1/2" D-52mm 9-1 5/8" E-56mm 6-2" H-60mm J- 2 1/8"	S- End of Shaft T- Thru Shaft G- End of Shaft with Grounding	1- 5 to 24 VDC 2- 5 to 18 VDC 3- 18 to 24 VDC 4- 5 to 24 V in, 5 V out	L- Single output left side R- Single output right side D- Dual output	240 600 256 1024 360 1200 480 2048 500 2500 512		000- None 003- Torque Arm Mount 005- -40° C Rating 008- 4.5" C-Face Mount 009- Northstar Pinout 015- Stainless Steel Shaft 016- 8.5" C-Face Mount G28- 12.5" C-Face Mount
Connector							
10 Pin Connector			6 Pin MS		5 Pin MS	Conduit Box	3 ft. Flex. Cable
A- without Plug ^a B- with Flex. Conduit Adapter ^a C- with Plug ^a	K- with Flex. Conduit Adapter ^b L- with Plug ^b M- without Plug ^b	S- Baldor Twist Lock on 3 ft. Pigtail	P- with Plug V- without Plug	M940 replacement D- with Plug ^b	M737A replacement E- without Plug ^a F- with Plug ^a M727A replacement H- without Plug ^a J- with Plug ^a	N- with color coded leads T- with Terminal Block	W- Sealed, Pigtail X- Sealed, Industrial Connector without Plug Z- Sealed, Industrial Connector with Plug

^a side exit ^b bottom exit



Nidec-Avtron Makes the Most Reliable Encoders in the World
8901 E. PLEASANT VALLEY ROAD • INDEPENDENCE, OHIO 44131-5508
TELEPHONE: (1) 216-642-1230 • FAX: (1) 216-642-6037
E-MAIL: tachs@nidec-avtron.com • WEB: www.avtronencoders.com

All dimensions are in inches [millimeters]. Specifications and features are subject to change without notice. EU-SMART™, SMARTSafe™, SMARTach II™, THIN-LINE™, THIN-LINE II™, WIDE-GAP™, and BULLSEYE32™ are trademarks of Nidec Avtron Automation. All other trademarks and registered trademarks are the property of their respective owners.