

Avtron M4 Hollow Shaft

Magnetic Hollow Shaft Mount Encoder, 5/8" to 2 3/8"



Step up to Magnetic Durability!

- Heavy, Mill Duty
- Immune to water, oil, dust, dirt, etc.
- Up to 1200 PPR
- No couplings required
- Temperature protected seals
- Rugged cast housing
- Fits large motor and load shafts directly
- Optional shaft grounding
- Optional dual isolated outputs
- Available in thru shaft and end of shaft models

M4-3 thru -9 heavy mill duty magnetic hollow shaft encoders fit any motor or load shaft from 5/8" to 2 3/8". Other models are available for face/flange (M4-1) and foot (M4-2) mounting (solid shaft coupled).

Forget tiny hollow shaft optical units that require shaft reduction and special

protection! M4 magnetic heavy duty encoders can accommodate up to a 2 3/8" shaft directly and are designed for use in mill environments with water, oil, moisture, dust, and dirt.

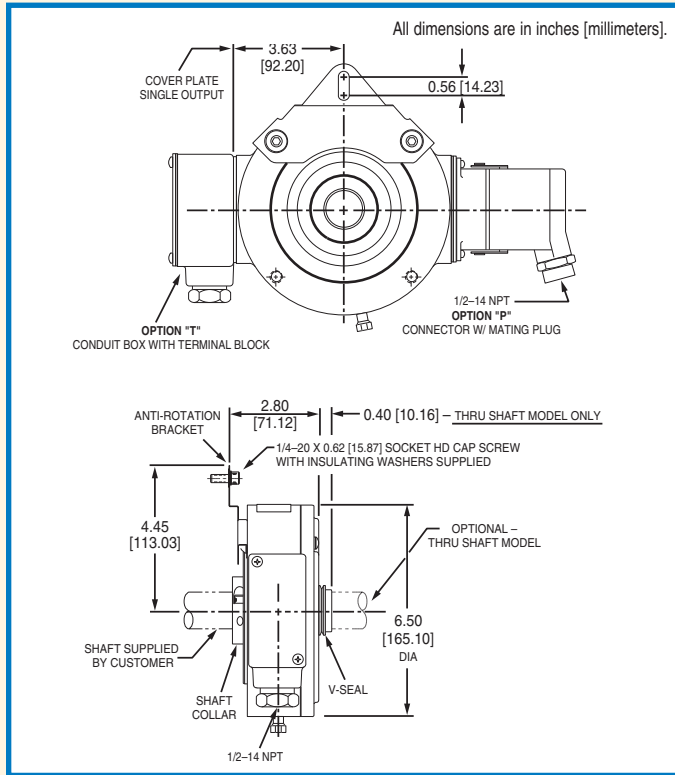
The M4 features a stainless steel breather/drain that enables the M4 to withstand dramatic, repeated temperature changes without stressing the

seals, and without condensation problems.

M4 encoders offer a large variety of connector and mounting options to replace virtually any existing encoder or tachometer. Upgrade to an M4 encoder for maximum uptime!

M4 Magnetic, Hollow Shaft Encoder (5/8" to 2 3/8") [12mm to 58mm]

OUTLINE DRAWING



Check out our web site for more detailed specifications, drawings, and installation instructions. www.avtroncoders.com

MORE M4 ADVANTAGES

- Electrically isolated shafts available
- Replaces Lakeshore HS85 and HS56
- Optional stub shaft kits for GE motors, 180-6000 Frame
- Available C-Face tether kits (4.5" to 16")
- Available threaded rod torque arm
- Optional OSHA finger guard
- Highly resistant to electrical and magnetic motor and brake noise
- Second isolated output may be different PPR

M4 SPECIFICATIONS

Operating Power: 5-24 VDC; Current 120mA, no load

Output Format: A, \bar{A} , B, \bar{B} ; Optional Marker Z, \bar{Z}

Frequency Range: 0 to 100 KHz

PPR: 240-1200

Speed: 5000 RPM Max. Std., shafts 5/8" to 1 5/8"
3600 RPM Max. Std., shafts 2" to 2 3/8"
(for higher speeds, consult factory)

Temperature: -40°* to 85°C (*-20° standard)

Chemical: Polyurethane enamel paint protects against salt spray, mild acids, and bases

Weight: 7 lbs.

SELECTION GUIDE

Model	Bore Size	Mounting Style	Line Driver	Left & Right Output Range	BASE PPR	Marker	Connector	Modifications*
M4-	0- Non-Standard 3- 5/8" B-12mm A- 3/4" C-16mm 4- 1" D-52mm 5- 1 1/8" E-58mm 8- 1 1/2" 9- 1 5/8" 6- 2" 7- 2 3/8"	S- End of Shaft T- Thru Shaft G- End of Shaft with Grounding R- Thru Shaft with Grounding	1- 5 to 24 VDC 2- 5 to 18 VDC 3- 18 to 24 VDC 4- 5 to 24 V in, 5 V fixed out	X- None L- Low Range (Base PPR x 1/2) M- Medium Range (Base PPR x 1) H- High Range (Base PPR x 2)	48- 480 51- 512 60- 600	Z- Marker -- None		000- None 003- Torque Arm Mount 005- -40° C Rating 007- Fan Cover Mount 008- 4.5" C-Face Mount 009- Northstar Pinout 015- Stainless Steel Shaft 016- 8.5" C-Face Mount 023- Dynapar Pinout (MS) 028- 12.5" C-Face Mount 035- Insulated Shaft * See instruction sheet for full list.
Connector								
10 Pin Connector				5 Pin MS Connector		Conduit Box		3 ft. Flex. Cable
MS		MS mini		EPIC		M737A replacement		N- with color coded leads
A- without Plug ^s B- with Flex. Conduit Adapter ^s C- with Plug ^s		K- with Flex. Conduit Adapter ^b L- elbow with Plug ^b M- without Plug ^b		R- Baldor without Plug S- Baldor on 3 ft. Pigtail		P- with Plug V- without Plug		T- with Terminal Block
						M727A replacement H- without Plug ^s J- with Plug ^s		W- Sealed, Pigtail X- Sealed, Industrial Connector without Plug Z- Sealed, Industrial Connector with Plug

^s side exit ^b bottom exit

All dimensions are in inches [millimeters]. Specifications and features are subject to change without notice.

