

Avtron Model HS35A

Optical, Hollow Shaft Encoder



Tough and Compact!

- Fits shafts 1/2" to 1"
- Simple Installation
- Up to 5000 PPR
- Unbreakable Optical Disk
- Wide-Gap Technology:
Up to 8X larger gap between
sensor and rotor
- Replaces Competitive
Models without Rewiring
- Fits end of shaft and through
shaft applications
- IP65/Nema 4, 13 Rating:
Dust and Liquid Tight
- Superior Bearings and Seals
- -20°C to +100°C Operation
- 2 Year No-Hassle Warranty

HS35A encoders fit shafts from 1/2" to 1" easily, using a durable shaft insert. Models from 1/2" to 7/8" [12mm to 20mm] may be resized by replacing the insert, enabling our factory, distributors, and customer stockrooms to swiftly meet any need. The shaft insert also provides isolation from motor shaft currents, while permitting case grounding to meet NEC requirements.

Avtron encoders have superior shaft seals and bearings that stay sealed to

keep out contamination caused by temperature cycling and liquid sprays. Our encoder seals are protected by mechanical barriers to prevent flexing or failure, and Avtron's superior bearings feature synthetic lubricants for even longer life.

Many competitive optical encoder designs risk sensor damage from any vibration or shock: sensors ride less than four thousandths of an inch from the thin, often flexible, optical disk

spinning at full motor speeds. Some designs even use thin glass disks in "industrial" products! Avtron uses only unbreakable disks and a sensor to disk gap over 8X larger than the competition.

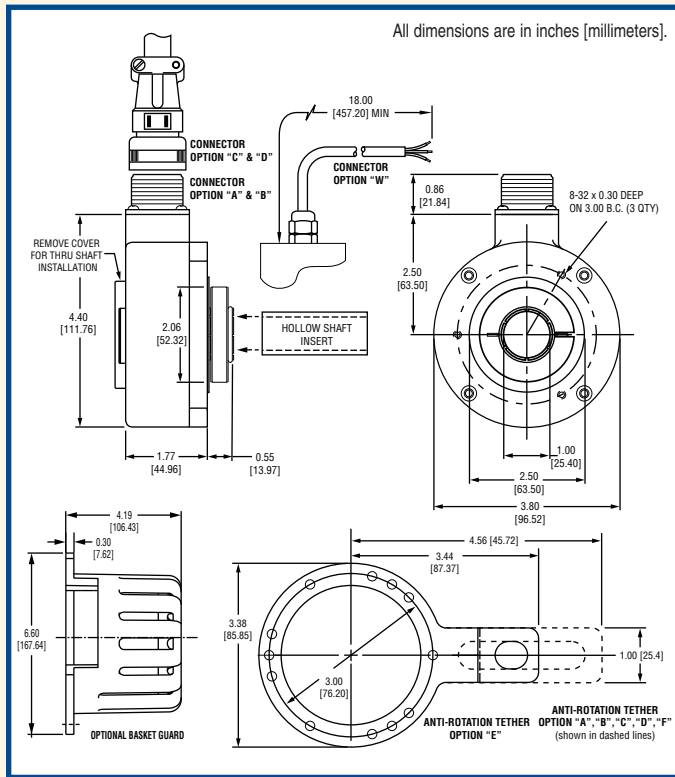
Our optical HS35A encoders use superior sensor, disk, bearing, and seal technology to give top performance in industrial conditions. Select an Avtron HS35A today!



QUALITY SYSTEM CERTIFIED TO ISO 9001
www.avtronencoders.com

HS35A Optical Hollow Shaft Encoder (1/2" to 1") [12mm to 25mm]

OUTLINE DRAWING



Check out our web site for more detailed specifications, drawings, and installation instructions.

www.avtronencoders.com

MORE HS35A ADVANTAGES

- All digital, fully integrated design
- No mechanical adjustments or trim potentiometers
- Innovative shaft ring retains collar during installation
- Advanced sensor technology
- Superior bearings with synthetic lubricant for longer life
- No extra charge for signal complements and marker pulse (A, \bar{A} , B, \bar{B} , Z, \bar{Z})
- Insulated from motor shaft currents
- Models 1/2" to 7/8" can be resized by interchanging inserts
- Optional basket guard adds even more protection

HS35A SPECIFICATIONS

Operating Power: Volts: 5 - 28 VDC; Current: 50mA, no load

Output Format: A Quad B with marker (A, \bar{A} , B, \bar{B} , Z, \bar{Z})

Frequency Range: 0 to 125 KHz

PPR: 100 - 5000 standard

Speed: 6000 RPM Max., (for higher speeds, consult factory)

Temperature: -20° to 100°C

Environmental: IP65; Nema 4, 13 Rating

Vibration: 5-2000Hz

Shock: 50G, 11mS duration

Weight: 1.6 lbs [730g]

€ Pending

SELECTION GUIDE

HS35A PART NUMBERS AND AVAILABLE OPTIONS											
Model	PPR	Line Driver	Bore Options	Connector Options	Mounting Style	Protection	Anti-Rotation Tether Options	Channels	Special Features		
HS35A	G- 100 K- 200 L- 240 M- 250 Q- 500 R- 512 S- 600 W- 1000	Y- 1024 Z- 1200 3- 2000 4- 2048 8- 4000 D- 4096 9- 5000 0- Special	1- 5-28V (7272) 2- 5-28V, open collector (7273) 4- 5-28V in, 5V out (7272)	0- Non-std. B- 1/2" C- 5/8" D- 3/4" E- 7/8" F- 1" U- Universal 1/2" to 7/8" (all U.S. inserts) Z- Universal 12mm to 20mm (all metric inserts)	P- 12mm R- 15mm S- 16mm W- 20mm	A- 10 pin MS w/o plug (Std. phasing) B- 10 pin MS w/o plug (Dynapar HS35 phasing) C- 10 pin MS w/ plug (Std. phasing) D- 10 pin MS w/ plug (Dynapar HS35 phasing) W- 18" flex. cable	U- Universal End-of-Shaft & Thru Shaft	0- None 1- Basket	X- None A- Fan cover, 1/4-20 B- Fan cover, 5/16-18 C- Fan cover, 3/8-16 D- Fan cover, all E- 4.5" or 6.75" C-Face F- 8.5" C-Face M- 4.5" C-Face or Fan Cover U- Universal (all tether options)	A- A, \bar{A} B, \bar{B} Z, \bar{Z}	000- None 9xx- Specify cable length xx=feet (use w/ option "W")

All dimensions are in inches [millimeters].
Specifications and features are subject to change without notice.

